

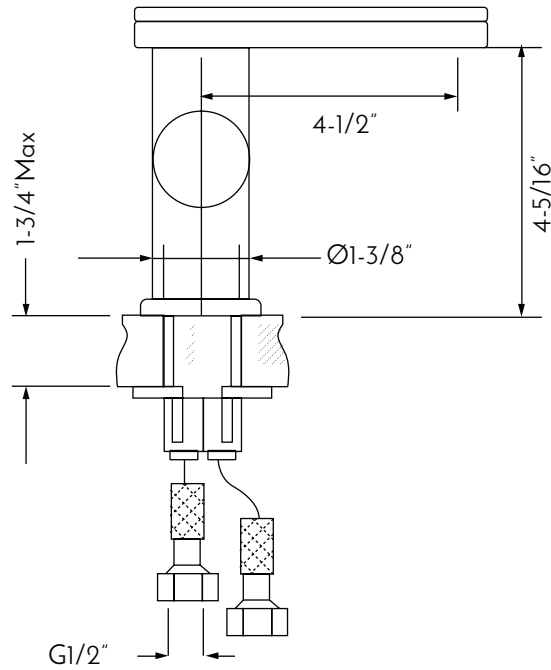


DAX-9888



BATHROOM FAUCETS SERIES





FEATURES

- Single Lever
- Ceramic cartridge
- Brass body
- Flow rate 1.2 GPM
- Installation hole 1-3/8"
- Chrome finish
- Hoses and mounting parts included
- Pop up drain not included (available)





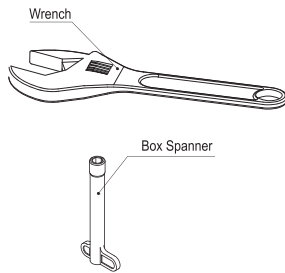
BATHROOM FAUCET **DAX-9888**

MODEL	DAX-9888
ADA	No
UPC APPROVED	No
ANSI APPROVED	No
ASME APPROVED	No
WATERSENSE CERTIFIED	No
NSF APPROVED	No
CONNECTION SIZE	G3/8
FAUCET HOLE SIZE	1-5/16"
FAUCETS HOLE	Single hole
FAUCET TYPE	Basin mixer
FLOW RATE (GPM)	1.2 Gpm at 60 psi
HANDLE STYLE	Single lever
NUMBER OF HANDLES	1
INSTALLATION TYPE	Deck mounted
MATERIAL	Brass body + zinc handle
FINISH	Chrome
SPOUT HEIGHT	4-5/16"
SPOUT REACH	4-1/2"
SPOUT SWIVEL	No
SPOUT TYPE	Casting spout
CARTRIDGE TYPE	Ceramic
POP-IP INCLUDED	No
MAX DECK THICKNESS	1-3/4" max



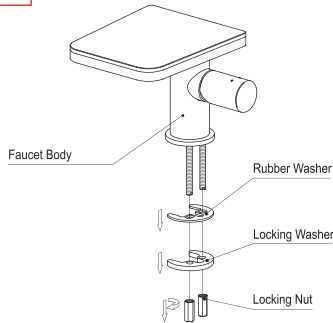


01



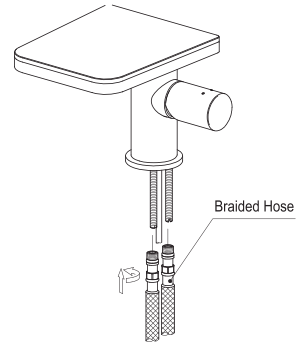
Prepare and check the following tools.

02



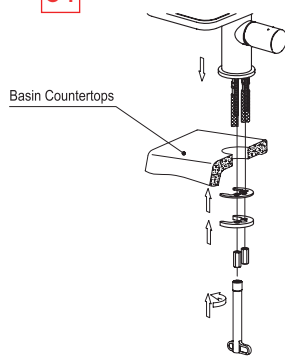
Remove locking nuts, locking washer and rubber washer from faucet body in turn.

03



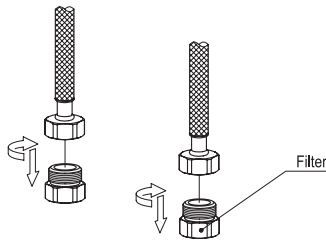
Screw the braided hoses. Attention to the red and blue marks on the joint, it is a one-to-one correspondence between braided hoses and marks.

04



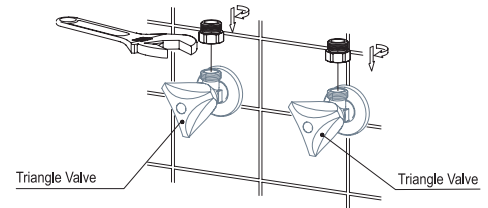
Place faucet body through the hole of basin countertops. Pad the rubber washer and locking washer in order. Tighten them with locking nuts.

05



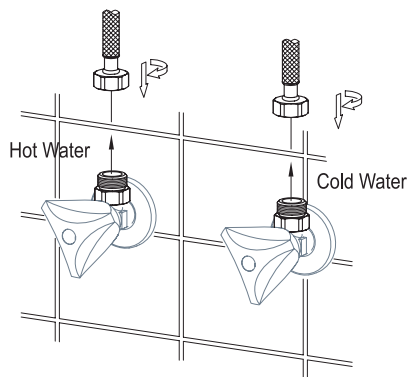
Remove the filter from the braided hose. Attention to the filter net in the filter.

06



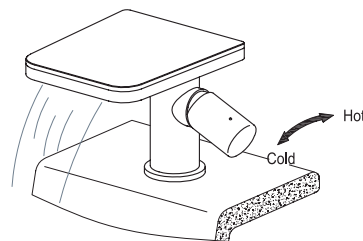
Screw the filter onto the triangle valve.

07



Connect the filter and braided hose. the red hose corresponds to hot water and blue hose corresponds to cold water. (Red on the left and blue on the right)

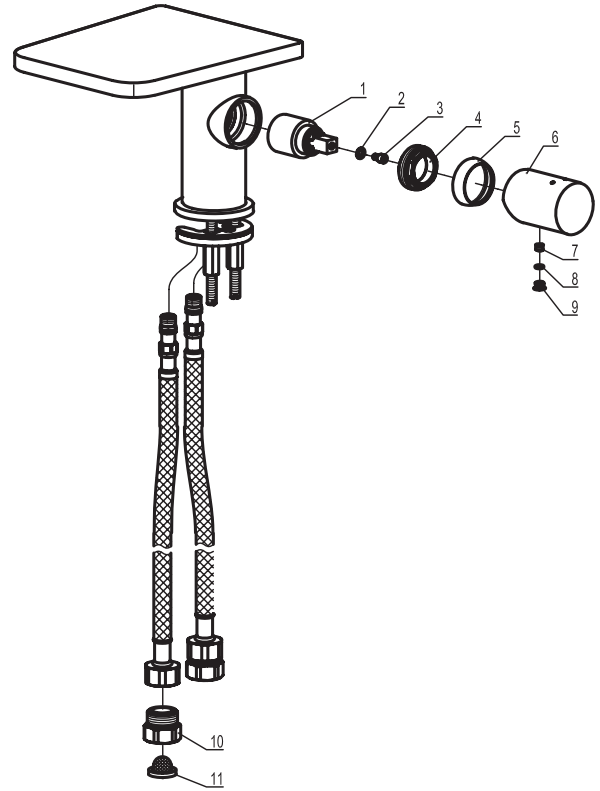
08



After the installation is complete, run water for inspection. The figure is for the case when the handle is turned on.



DIAGRAM NUMBER	DAX SKU	TITLE DESCRIPTION
1		Ø1" Cartridge
2	FH TW-104	Ø4 Brass washer
3	FH TJ-30504	M5X4 Internal Hex flat end locking screw
4	FH DB-17C	Locknut
5	FH DB-18A	Cartridge decorative ring
6	FH D86-01	Handle
7	FH TJ-30504	M5X4 Internal Hex flat end locking screw
8	MF 0615	Ø3X1-1/2" O" ring
9	FH D38A-02	Decorative cap
10	FH 8623-16A	Connector
11	FH T-54A	Filter



For parts or sale requirements please contact our customer service department:



CS@daxib.com



1 888 685 8236